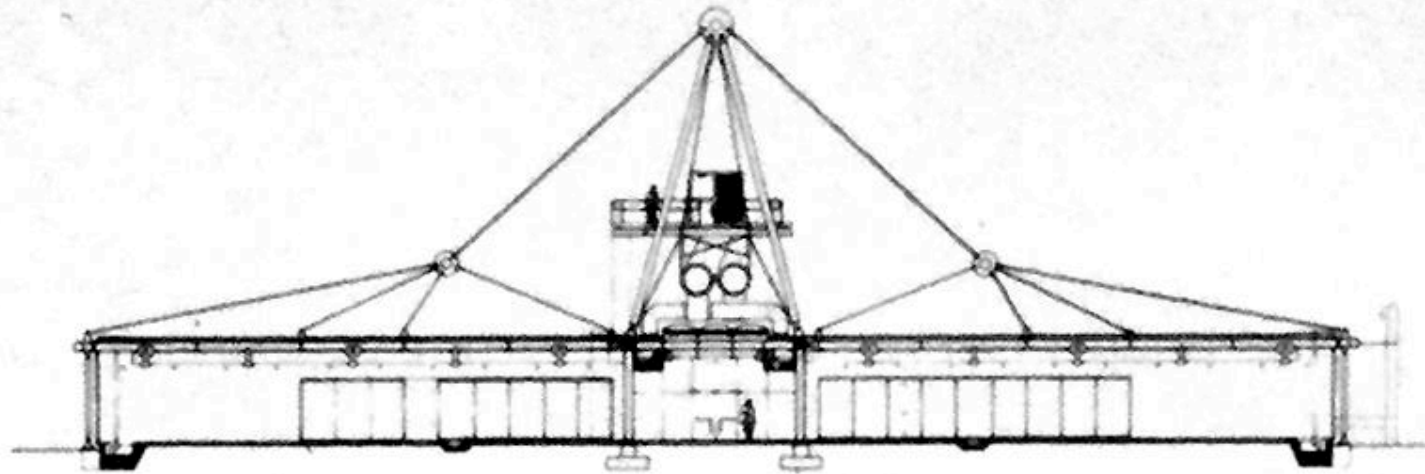
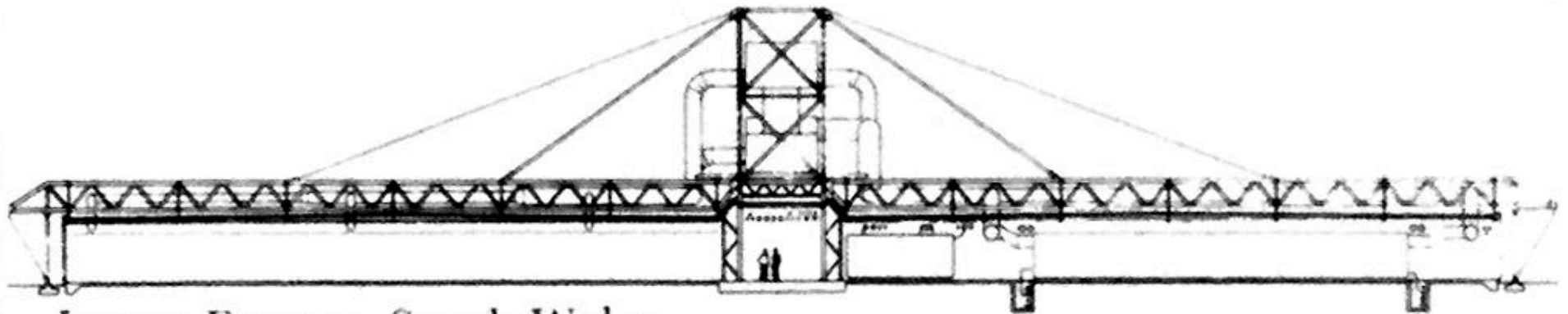


# PA Research Center

Richard Rogers in  
New Jersey 1985



PA Technology Facility, Princeton, N.J.

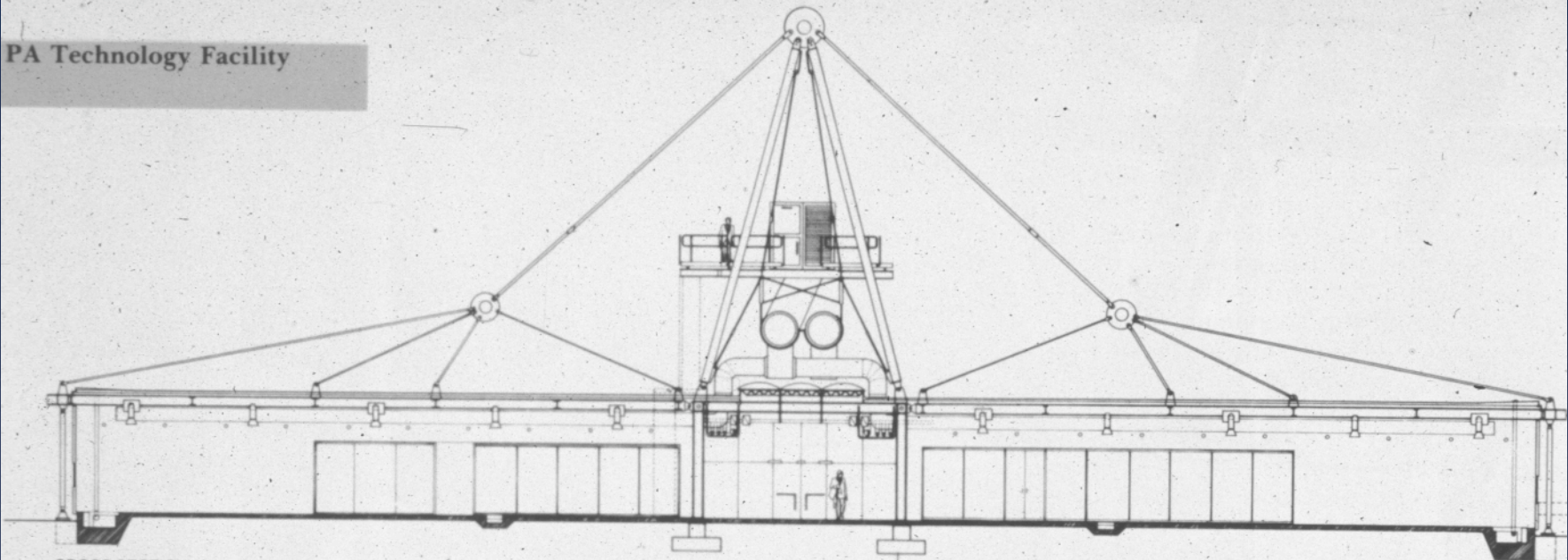


Inmos Factory, South Wales

An idea about spines explored across multiple projects



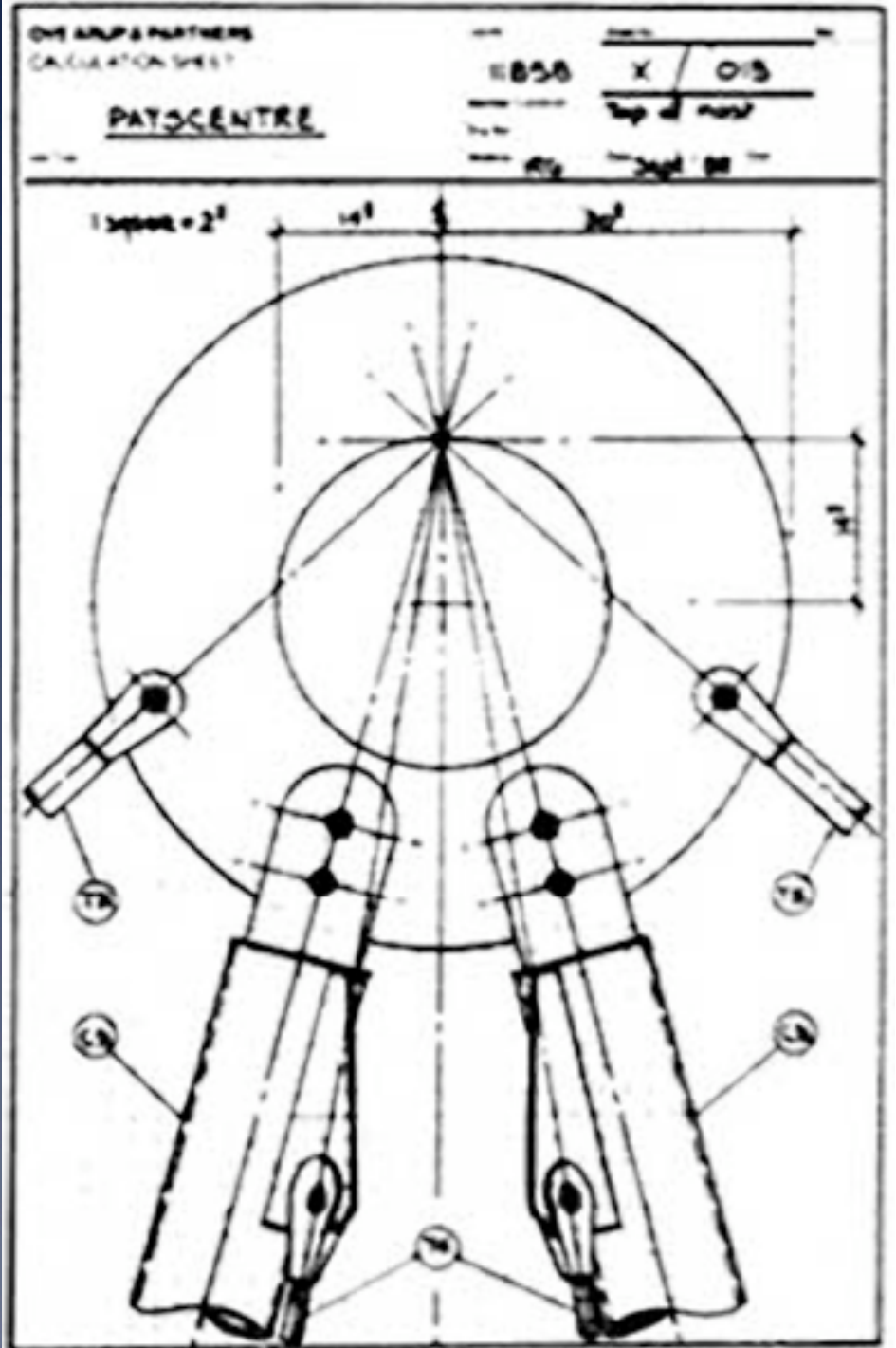
PA Technology Facility

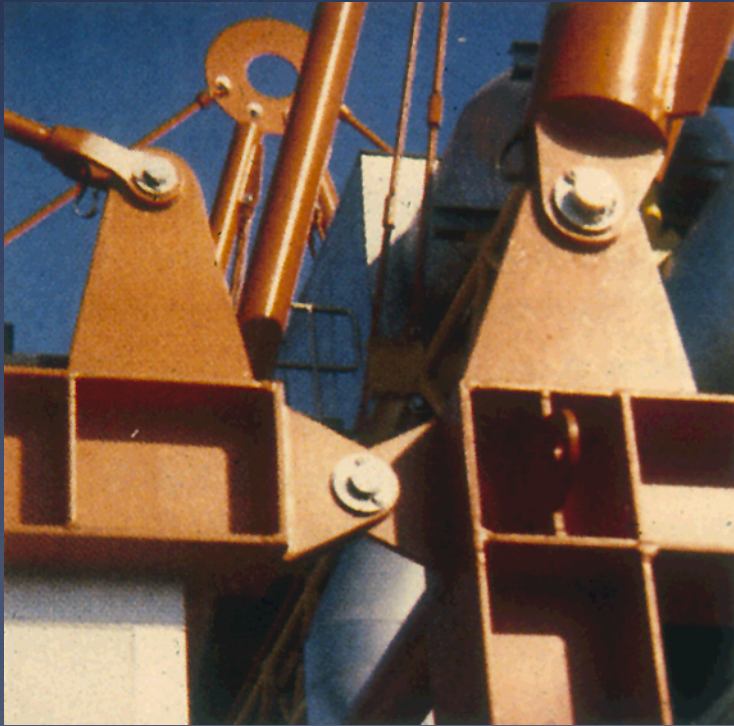


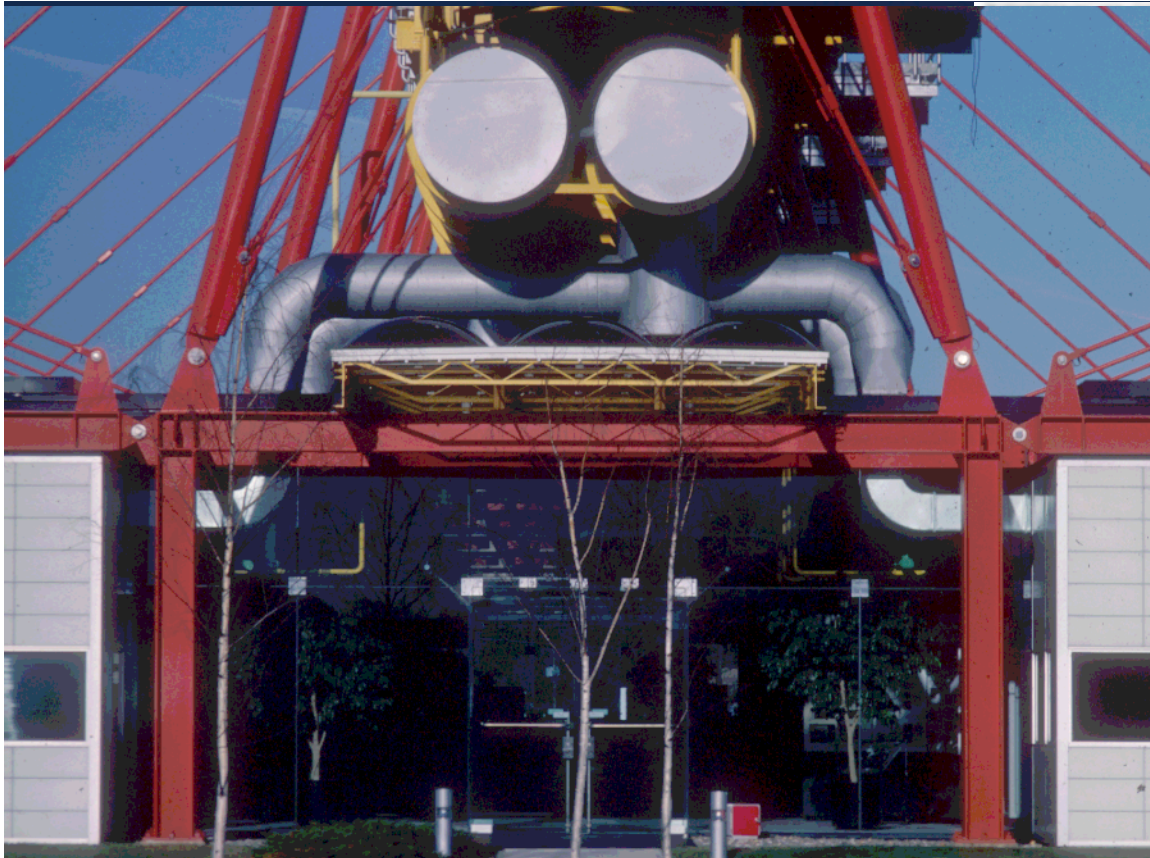
CROSS SECTION





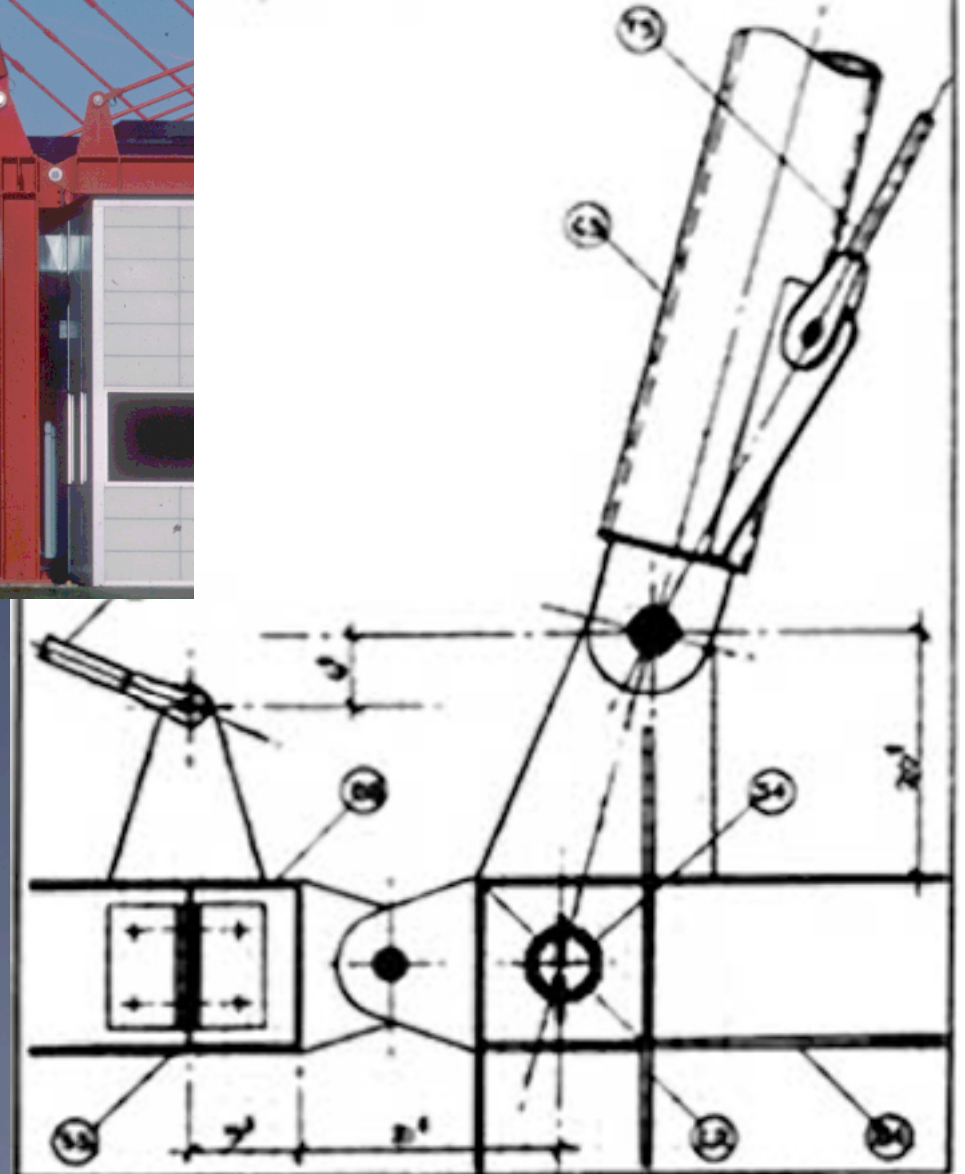




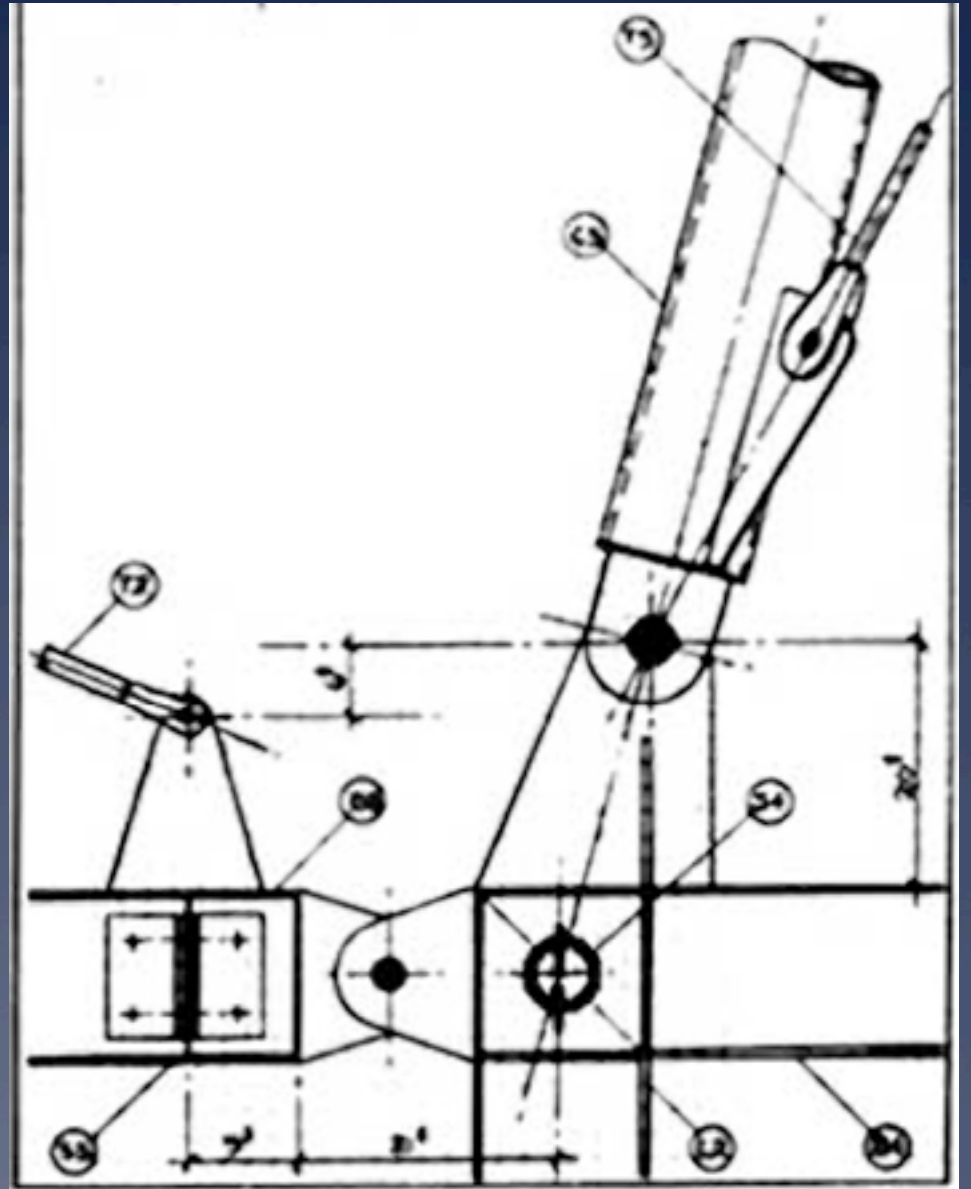


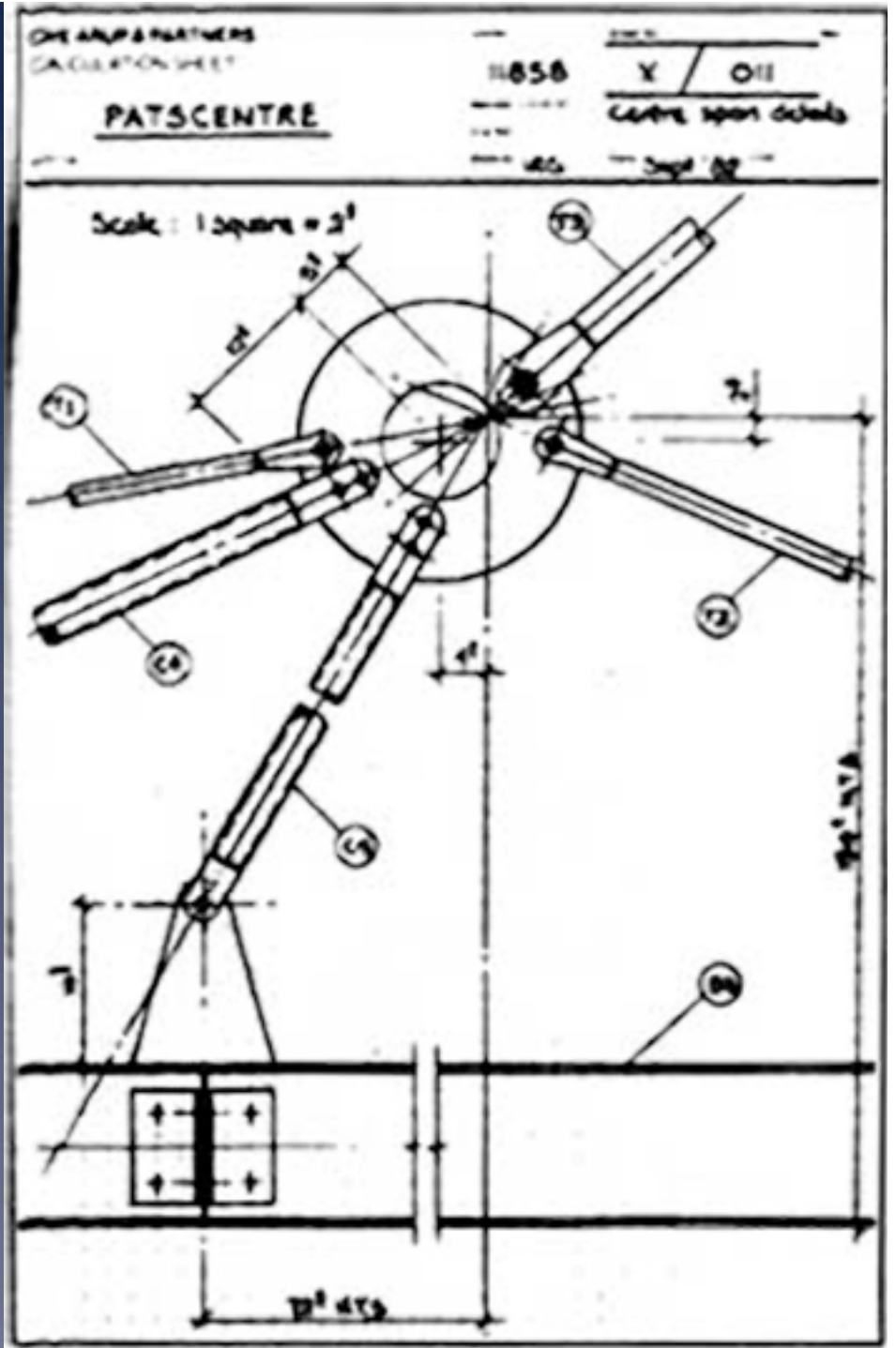
STAINERS  
11856 X 012  
SCENTRE  
Page 02

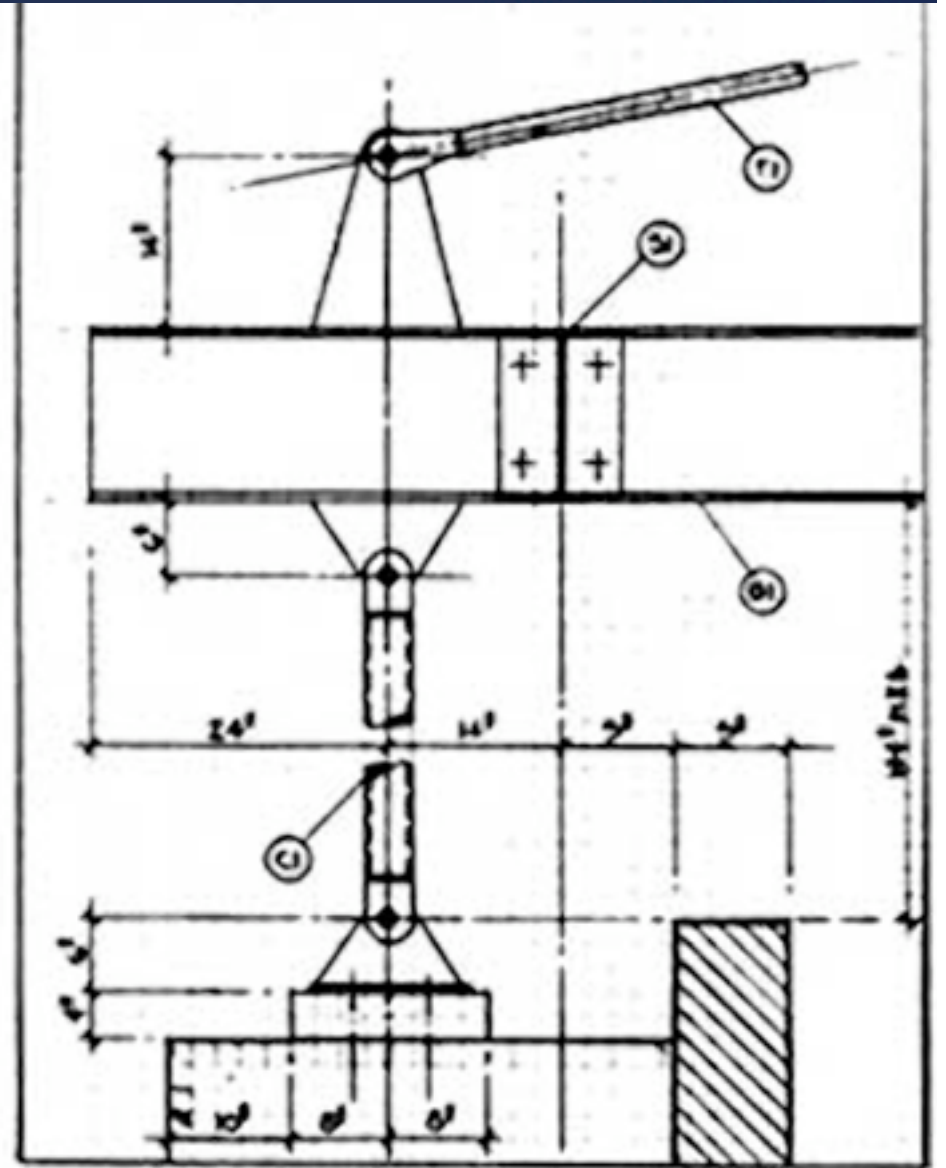
1 square = 2'





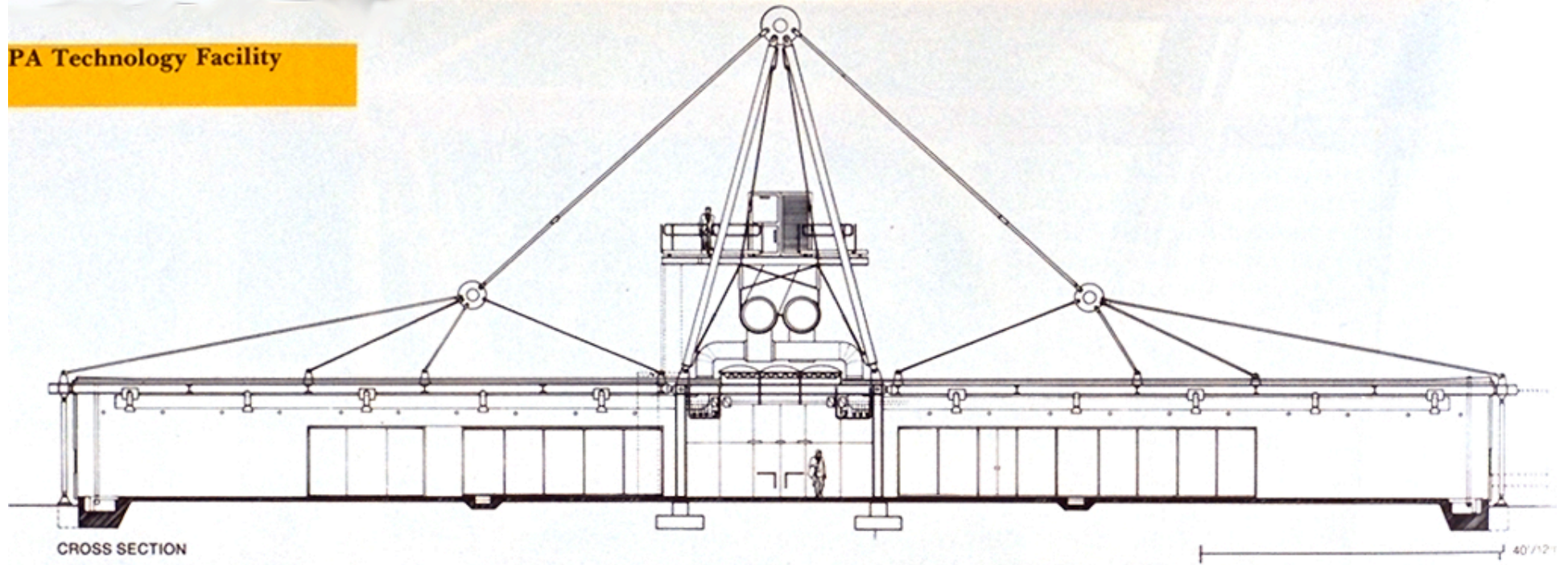


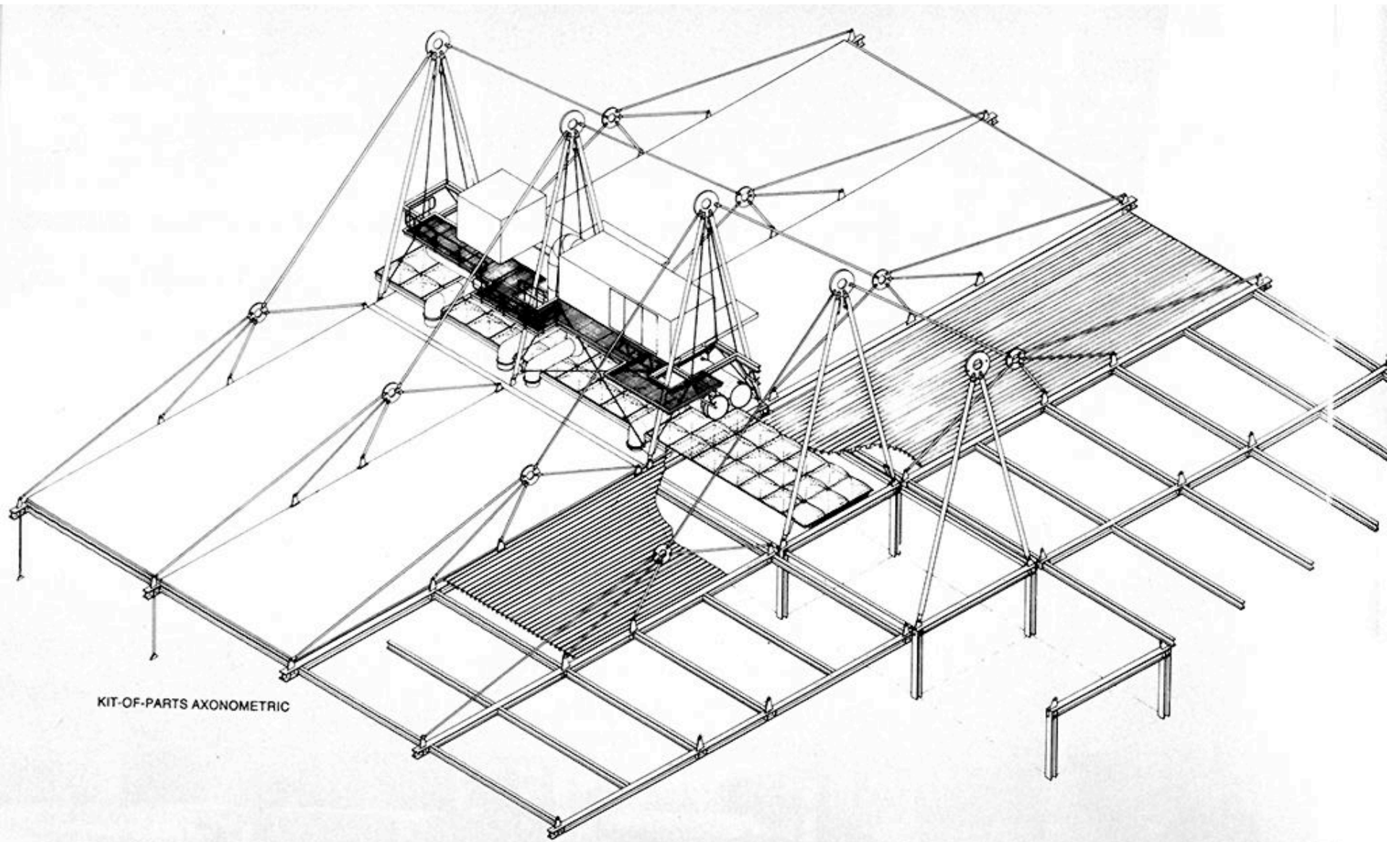






PA Technology Facility



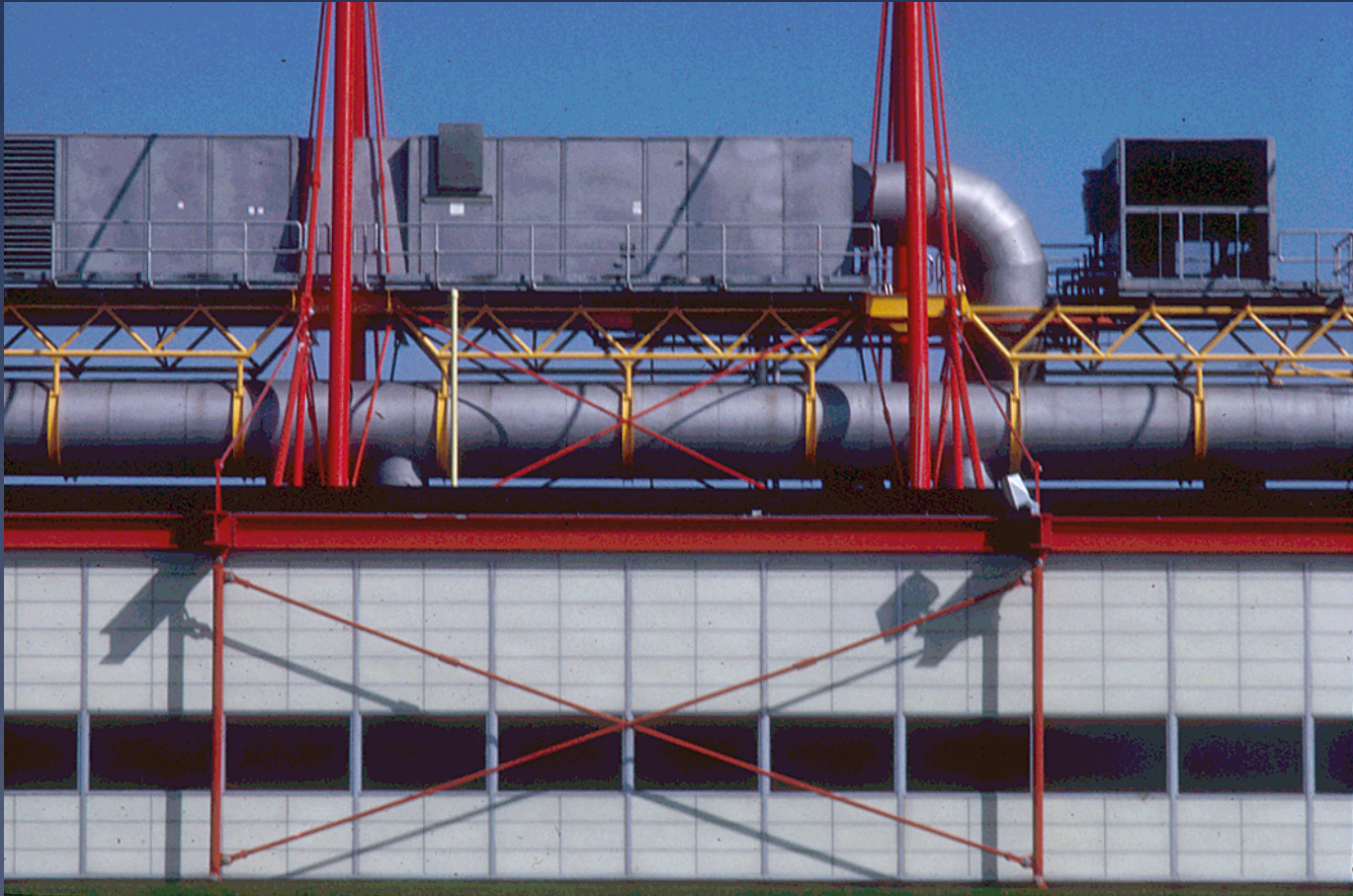


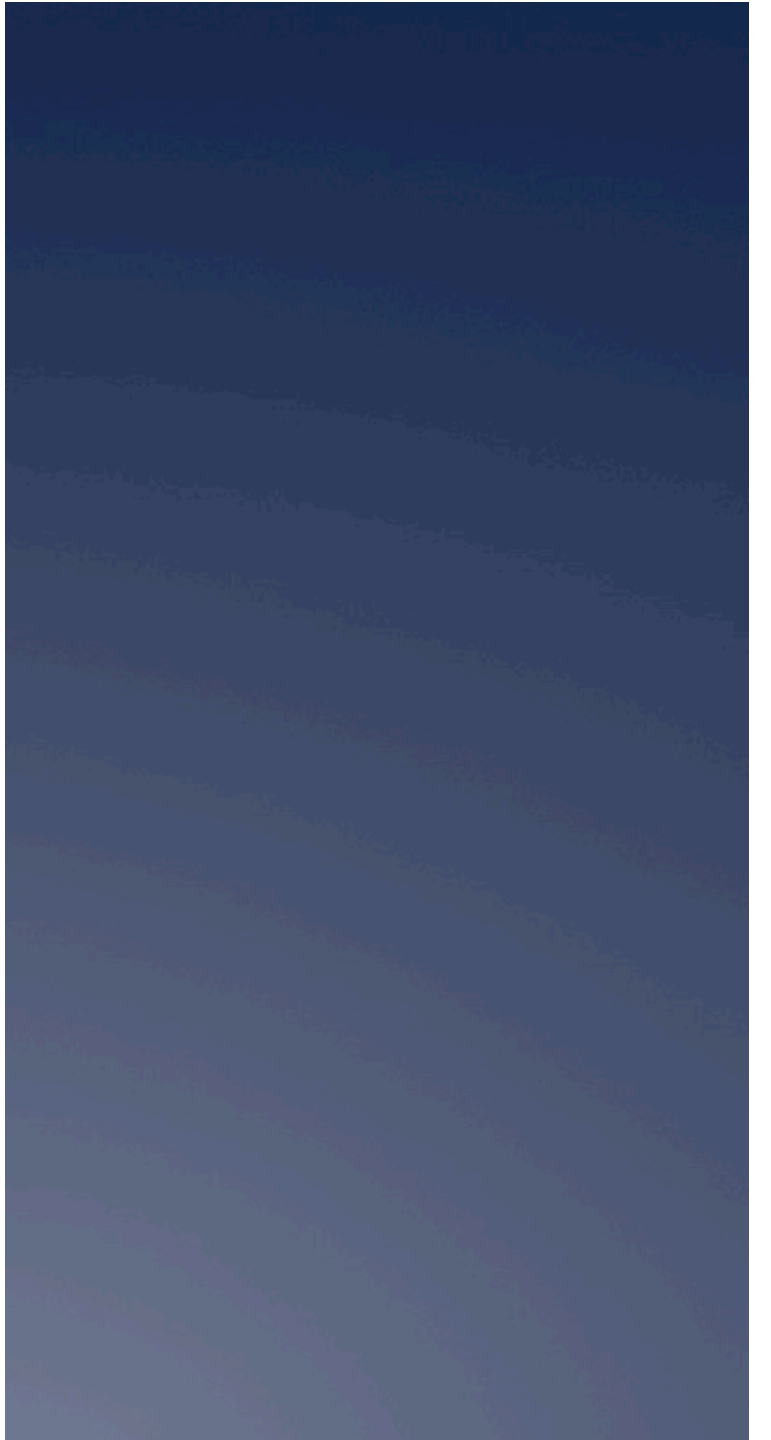
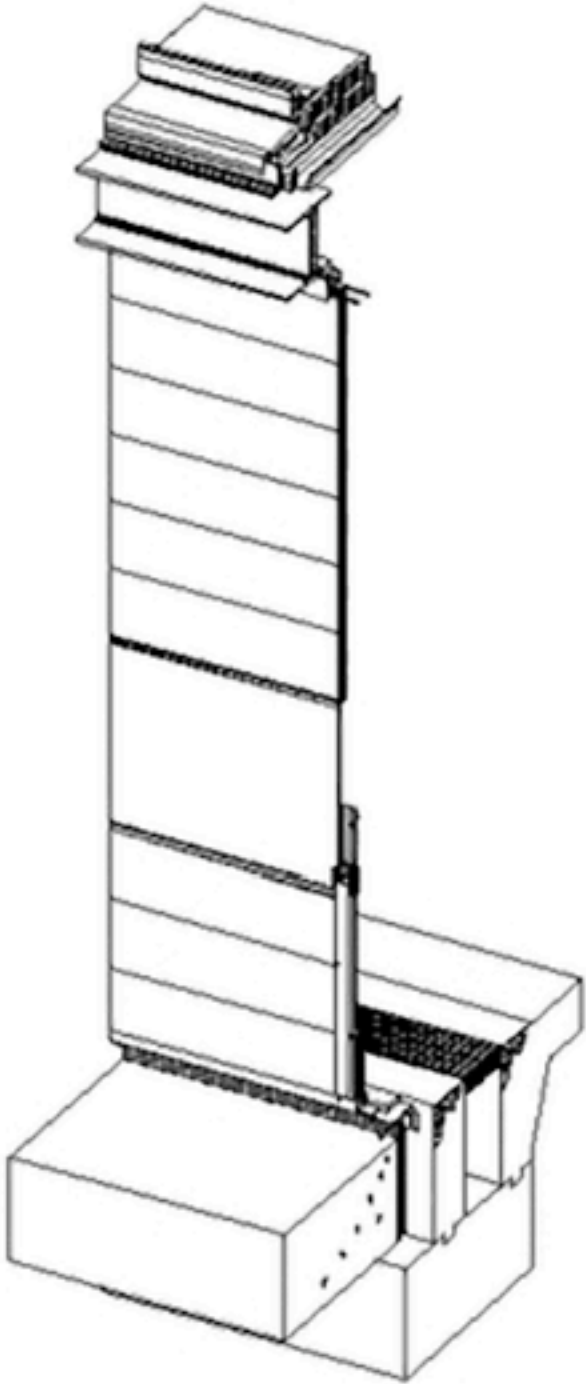
KIT-OF-PARTS AXONOMETRIC

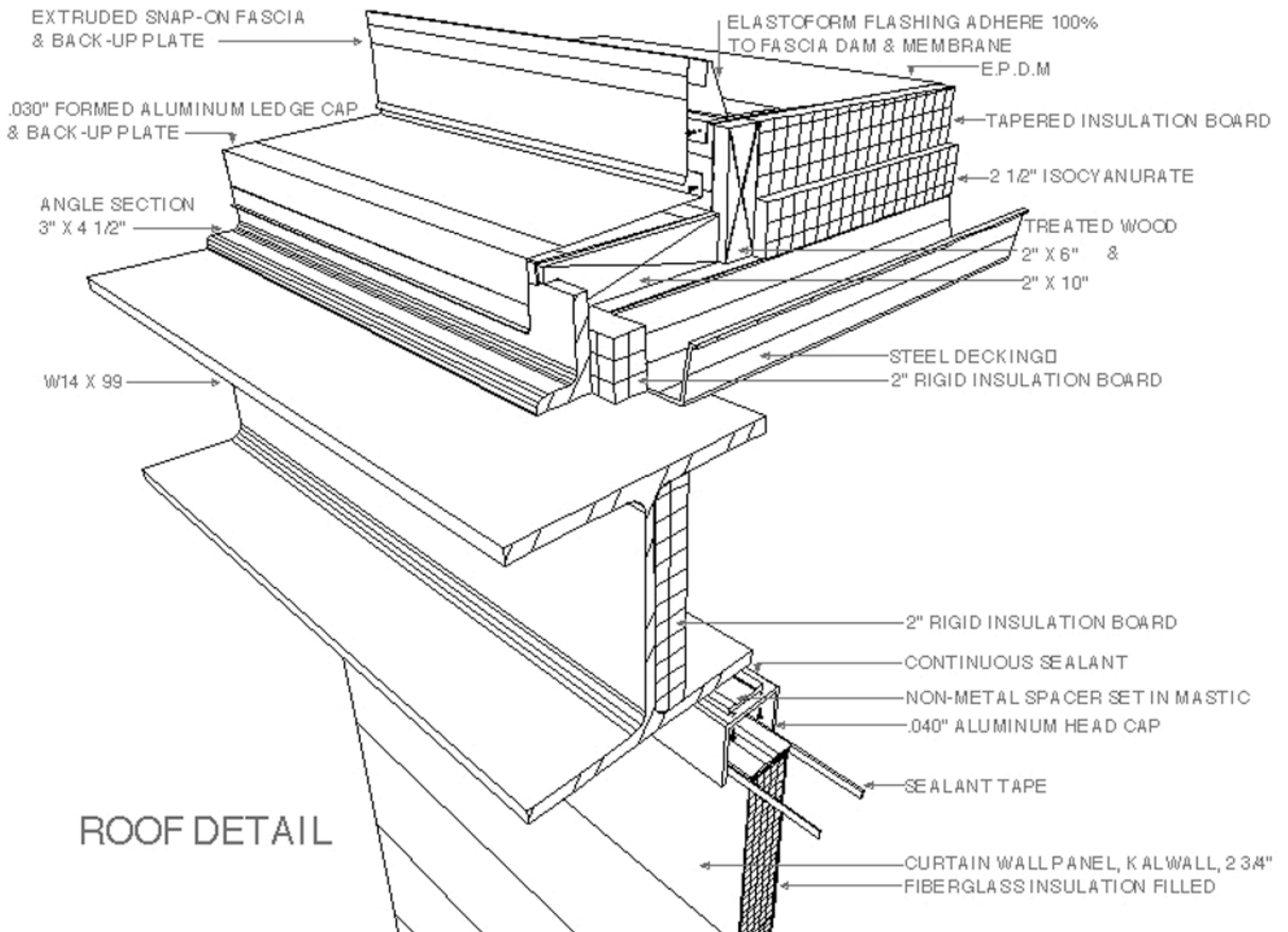












## ROOF DETAIL





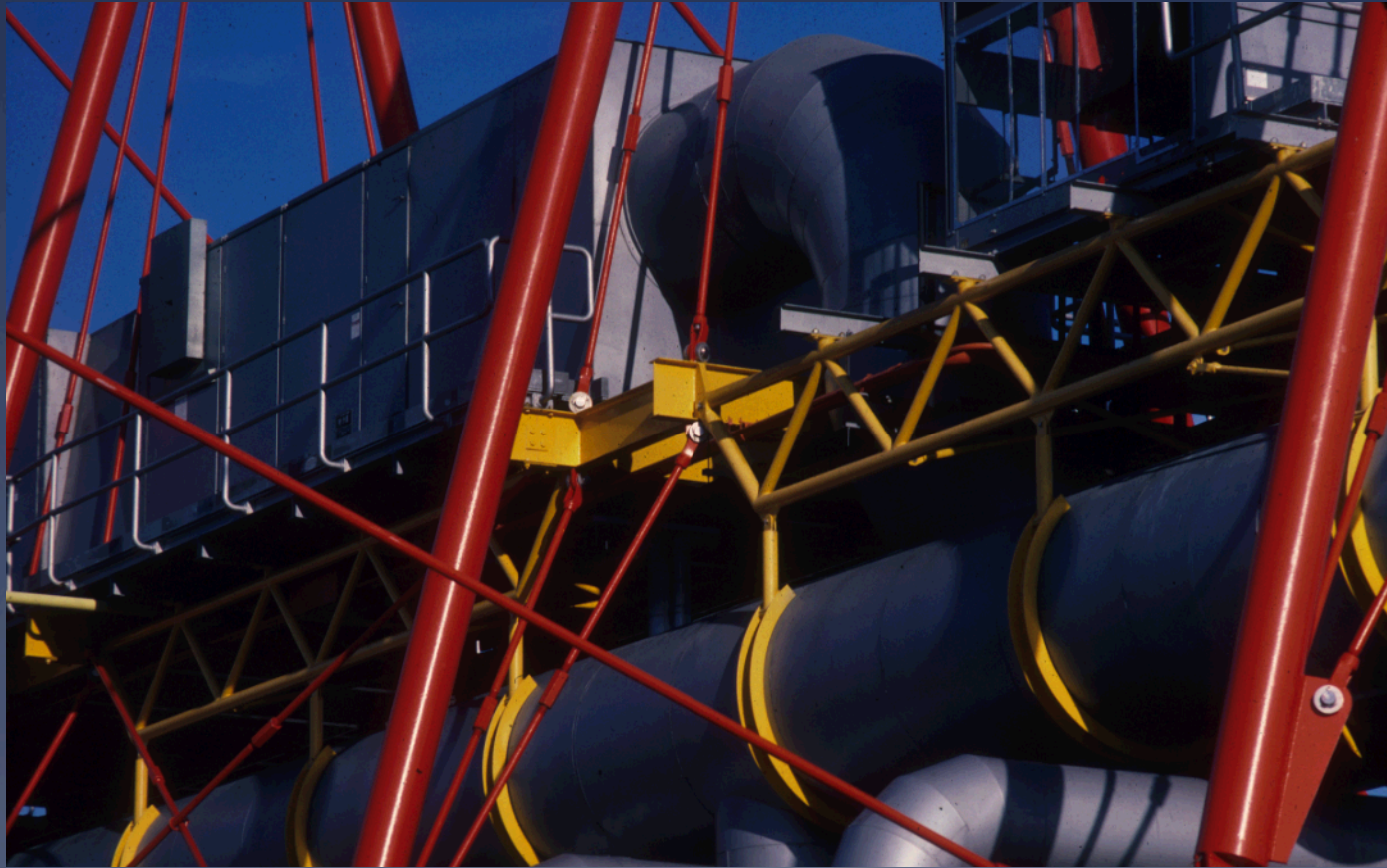


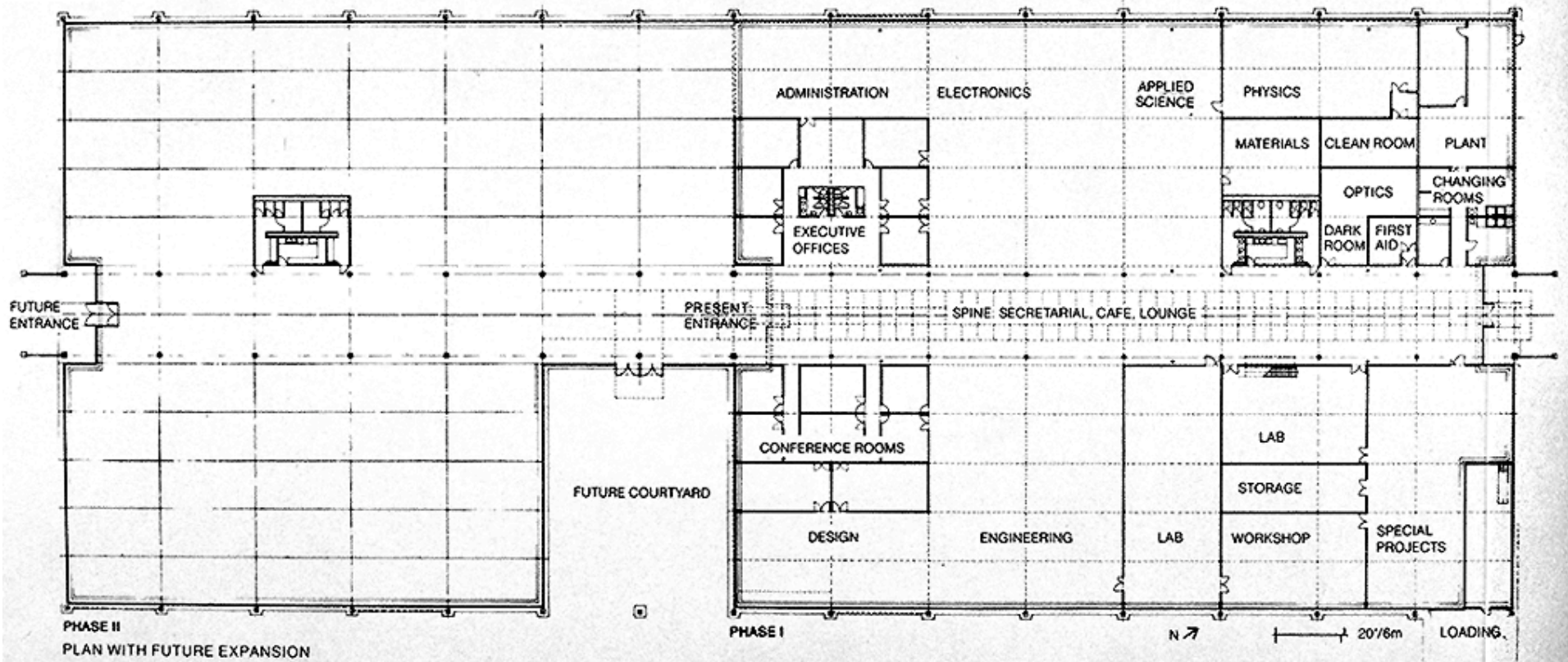












42,600 s.f.  
\$4,704,000









